

4

3

2

1

MATERIAL & FINISH:

- 1 BODY: STAINLESS STEEL, PASSIVATED
- 2 CENTER CONTACT: BERYLLIUM COPPER ALLOY, GOLD PLATED
- 3 INSULATOR: PEI
- 4 COUPLING NUT: STAINLESS STEEL, PASSIVATED

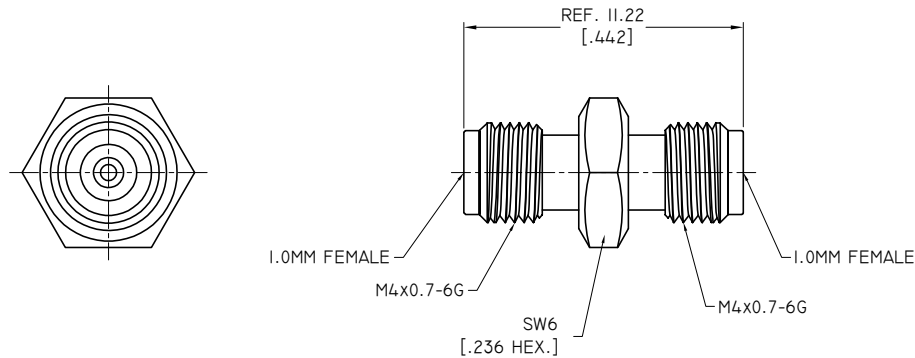
ELECTRICAL SPECIFICATIONS:

- 1 IMPEDANCE: 50 Ω
- 2 FREQUENCY RANGE: DC-110GHZ
- 3 VSWR: 1.28 MAX.

REVISIONS			
REV.	DESCRIPTION	DATE	APPROVED
A	INITIAL RELEASE	03/20/19	J. QU

ENVIRONMENTAL DATA:

- 1 TEMPERATURE RANGE: -55°C~+125°C
- 2 2011/65/EU (RoHS): COMPLIANT AND 2015/863/(RoHS): COMPLIANT
- 1999/45/EC(REACH): COMPLIANT



DRAWN	W. YANG	DATE	03/20/19
CHECKED	X. B. YANG	DATE	03/20/19
APPROVED	J. QU	DATE	03/20/19
UNLESS OTHERWISE SPECIFIED DIMENSIONS ARE IN MILLIMETERS, DIMENSIONS IN [] ARE IN INCHES FOR CUSTOMER REFERENCE ONLY UNLESS OTHERWISE SPECIFIED		TOLERANCE ARE:	
.XX	±0.13 [.005"]	THESE DRAWINGS AND SPECIFICATIONS ARE THE PROPERTY OF ANOISON ELECTRONICS LTD AND SHOULD NOT BE USED WITHOUT WRITTEN PERMISSION COPYRIGHT © 2019 ANOISON ELECTRONICS LTD	
.X	±0.20 [.008"]		
X	±0.50 [.019"]		
X°	±1°		
X°	±2°		

TITLE
PRECISION ADAPTER, 1.0MM FEMALE TO 1.0MM FEMALE

PART NO.
PA7676C

VIEW		SIZE	A3	SCALE	5:1	SHEET	1/1	REV.	A
-------------	--	-------------	----	--------------	-----	--------------	-----	-------------	---

4

3

2

1